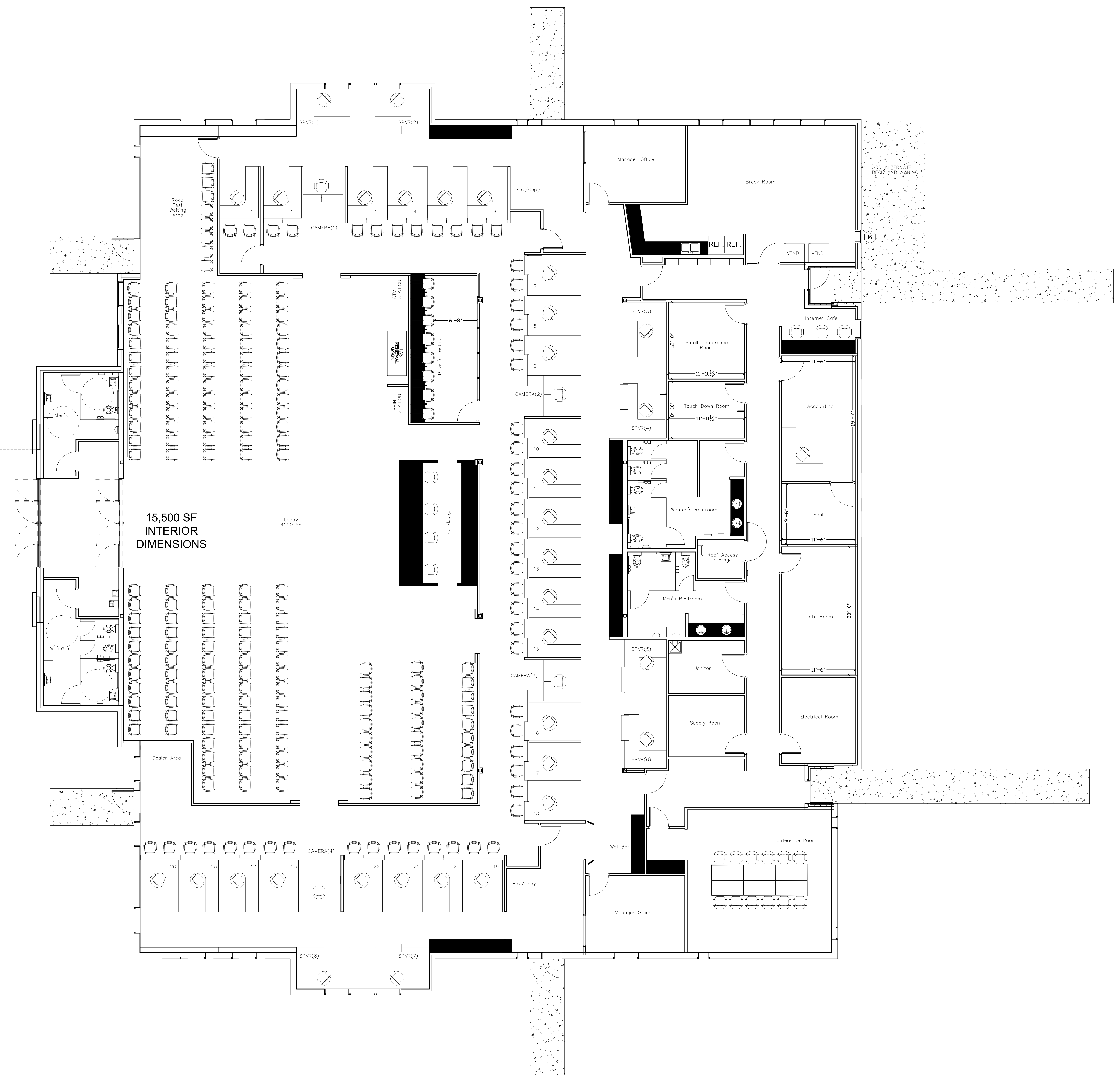
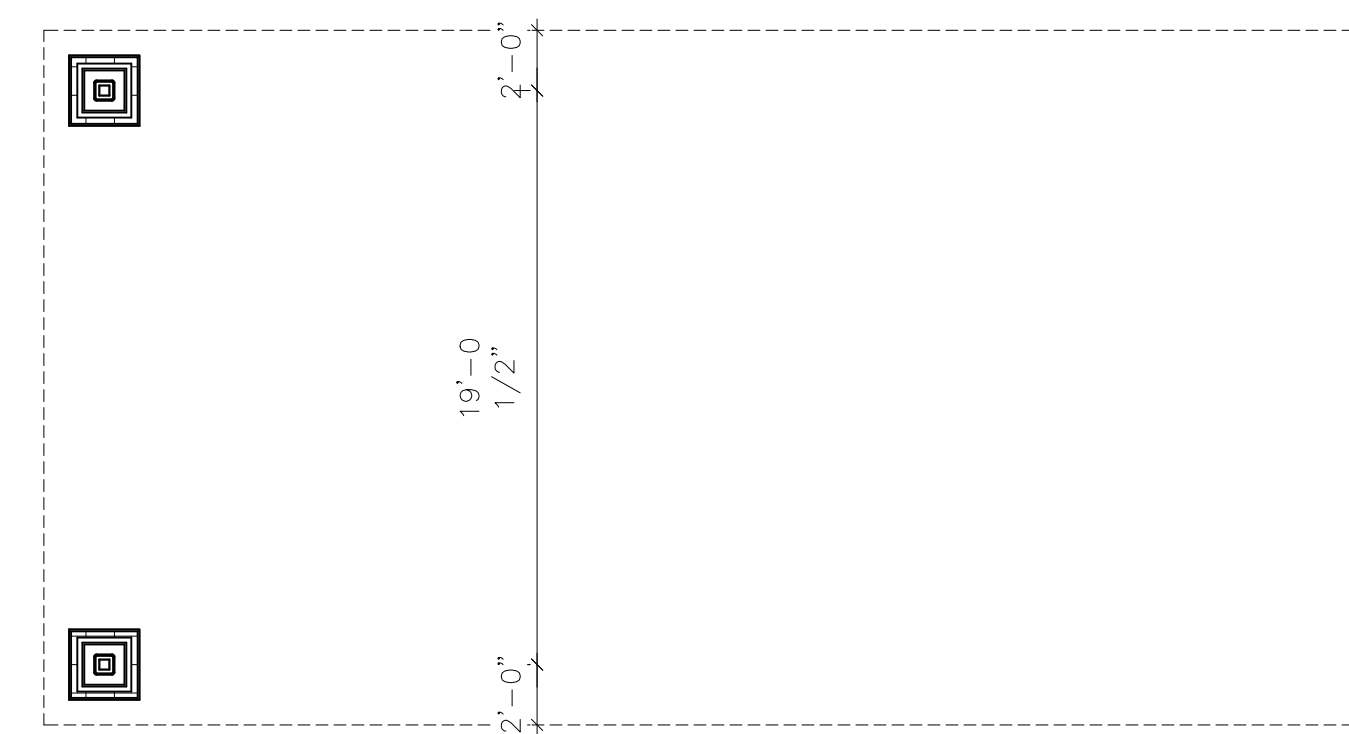


RFP 18637

Attachment 1

Proposed Floor Plan



15,500 SF
INTERIOR
DIMENSIONS

Lobby
4290 SF